

An American Company

## Biometric High Security Safe

Protects Documents, Cash, Guns, Jewelry and other Valuables



simple elegant secure



TYCHI SYSTEMS, INC.

[www.tychisystems.com](http://www.tychisystems.com)

Copyright©2009 All rights reserved  
April 2009 Rev. A001

# BKK Safe Series™ Fingerprint Safe



- Easy to use
- A new level of security and convenience
- USA product; Patented
- Biometric fingerprint lock safe combined with passcode and high security key
- Audit Trail and Untraceable Passcode
- Advanced fingerprint recognition technology

## ***Advance technology and high security***

The BKK Safe Series™ developed by Tychi Systems of Salem, New Hampshire is a beautifully crafted fingerprint safe protects your important documents, cash, guns, jewelry and other valuables conveniently at homes, offices, hotels, stores and government.

## ***Easy to use***

The BKK Safe Series™ using the proven technologies from their successful fingerprint door locks. To gain access to the safes, you brush your finger across the sensor then turn the key. One time programming of authorized fingers is performed at the safe.

## ***Product construction***

The BKK Safe Series™ comes with a digital Key pad for back up and as an alternative access. A water resistant insulator protects the key pad which is Spy-Proof and features an untraceable mechanism. It also comes with a digital LCD for easy navigation and passcode access.

The BKK Safe Series™ is made of a unitized steel body. The heavy duty 3" thick recessed door is constructed of solid steel plate. Four or six solid bolts secure the door that also features concealed hinges. Two 90-degree rotation bars offer extra security. Two precut anchor holes are provided for securing the safe at its location.



**TYCHI SYSTEMS, INC.**

3 Brook Road Unit 10  
Salem, NH 03079

Tel: 603-898-9244

Web: <http://www.tychisystems.com>

# BKK Safe Series™ Fingerprint Safe

## Features

- Fingerprint or passcode and/or key activated
- Upto 100 users by names and accounts
- Key overwrite optional (can be disabled)
- Key activated optional (can be disabled)
- Audit Trail up to 1000 recorded logs
- Easy to install and operate
- Internal lockable storage compartment
- Automatic locking and forced entry alarm
- 6 solid heavy duty locking door bolts including two rotating bolts for models BKK-G191514 and BKK-G301715
- 4 solid heavy duty locking door bolts for models BKK-G131612 and BKK-G171712
- 2 pre-drilled anchor holes
- Concealed hinges
- 1/4" thick solid metal frame and 2/5" thick door frame
- 0.02" (0.5mm) door to frame gap for higher security
- Emergency external power pack
- Operating temperature: -25 to 176°F
- Weight: 100 lbs to 230 lbs, depending on model
- Developed in USA; patented



**TYCHI SYSTEMS, INC.**

3 Brook Road Unit 10  
Salem, NH 03079

Tel: 603-898-9244

Web: <http://www.tychisystems.com>

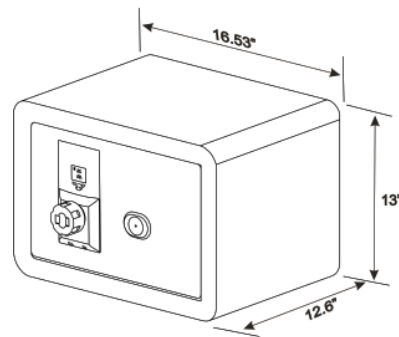
## Model: BKK-G131612 1.2 Cubic Foot Storage



### Model BKK-G131612 Overview

With a 1.2 cubic foot of storage space, this beautifully crafted compact size fingerprint safe protects your important documents, cash, small hand-guns, jewelry and other valuables conveniently at homes, small offices, hotels rooms.

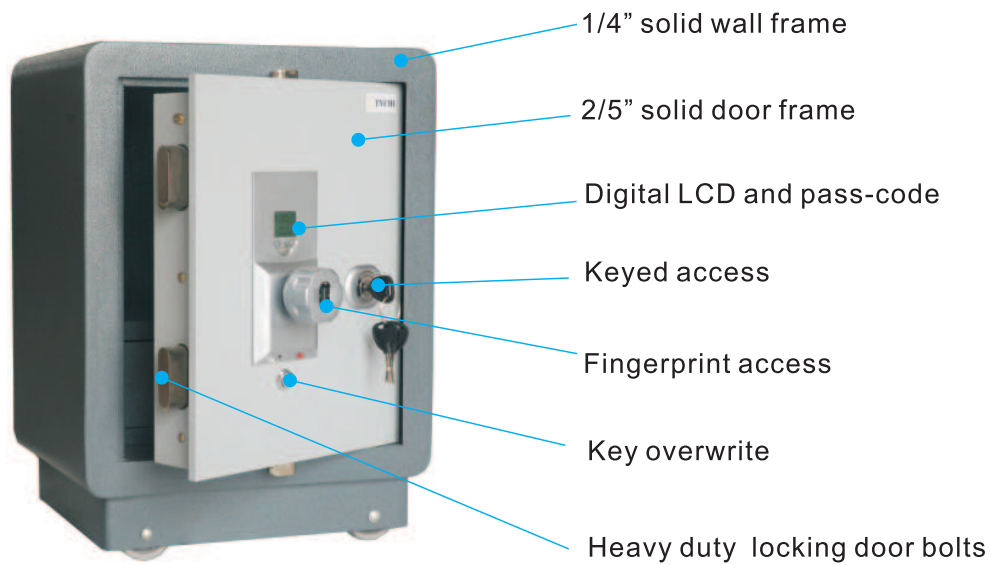
The BKK-G131612 unitized 1/4" steel body. Massive 3" recessed door constructed of a 2/5" solid steel plate. 4 locking door solid bolts (2-way boltwork) and concealed hinges. Each safe offers 2 precut anchor holes. Key activated and key overwrite can easily be disabled.



#### **BKK-G131612**

Outside Dim: 13"(H) x 16.53"(W) x 12.6"(D)  
Package Dim: 13.39"(H) x 16.92"(W) x 15.75"(D)  
Frame Thickness: 1/4"(side walls) x 1/4"(back) x 2/5"(door)  
Storage Space: 1.2 cubic foot  
Inside Storage Dim: 12.52"(H) x 16.46"(W) x 9.5"(D)  
Weight: 99 lbs

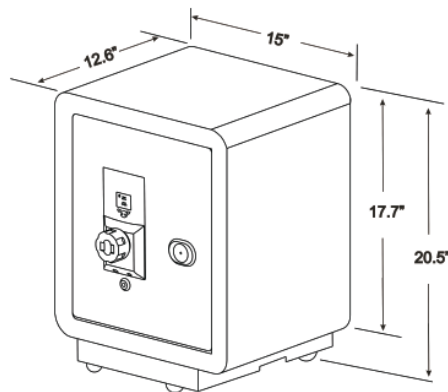
## Model: BKK-G171712 1.35 Cubic Foot Storage



### Model BKK-G171712 Overview

With a 1.35 cubic foot of storage space, this beautifully crafted compact-mid size fingerprint safe protects your important documents, cash, hand-guns, jewelry and other valuables conveniently at homes, offices, hotels rooms and government.

The BKK-G171712 unitized 1/4" steel body. Massive 3" recessed door constructed of a 2/5" solid steel plate. 4 locking door solid bolts (2-way boltwork) and concealed hinges. Each safe offers audit trail upto 1000 recorded logs and upto 100 users. Key activated and key overwrite can easily be disabled.



#### **BKK-G171712**

Outside Dim: 17.7"(H) x 15"(W) x 12.6"(D)

Package Dim: 20.28"(H) x 15.35"(W) x 15.75"(D)

Frame Thickness: 1/4"(walls) x 1/4"(back) x 2/5"(door)

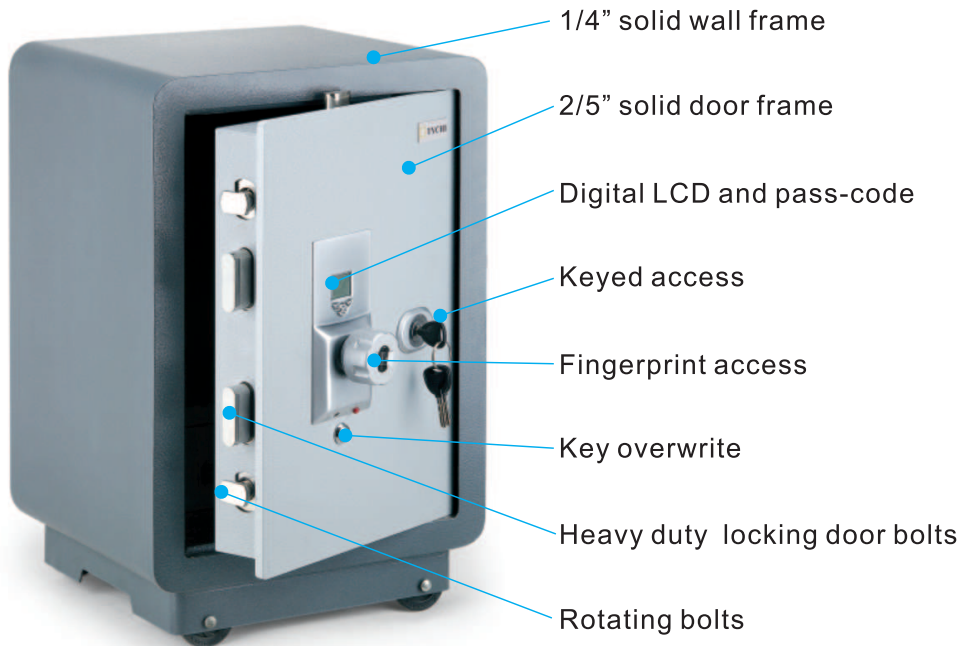
Storage Space: 1.35 cubic foot

Inside Storage Space with lockable storage compartment : 16.22"(H) x 14.30"(W) x 9.5"(D)

Inside Storage Space without lockable storage compartment : 11.22"(H) x 14.30"(W) x 9.5"(D)

Weight: 125 lbs

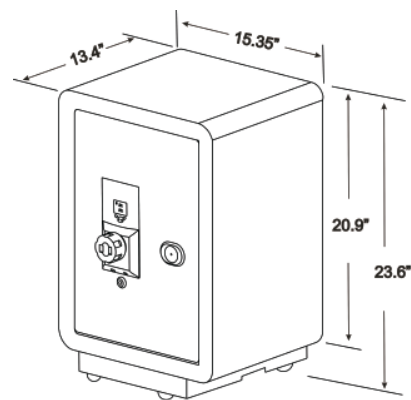
## Model: BKK-G191514 1.90 Cubic Foot Storage



### Model BKK-G191514 Overview

With a 1.90 cubic foot of storage space, this beautifully crafted mid-size fingerprint safe protects your important documents, cash, hand-guns, jewelry and other valuables conveniently at homes, small to mid size offices, hotels rooms, stores and government.

The BKK Safe Series™ model BKK-G191514 unitized 1/4" steel body. Massive 3" recessed door constructed of a 2/5" solid steel plate. 6 locking door solid bolts (3-way boltwork) and concealed hinges. Two 90 degrees rotation bar for extra security. Each safe offers audit trail upto 1000 recorded logs and upto 100 users. Key activated and key overwrite can easily be disabled.



#### **BKK-G191514**

Outside Dim: 20.9"(H) x 15.35"(W) x 13.39"(D)

Package Dim: 23.42"(H) x 16.54"(W) x 15.75"(D)

Frame Thickness: 1/4"(walls) x 1/4"(back) x 2/5"(door)

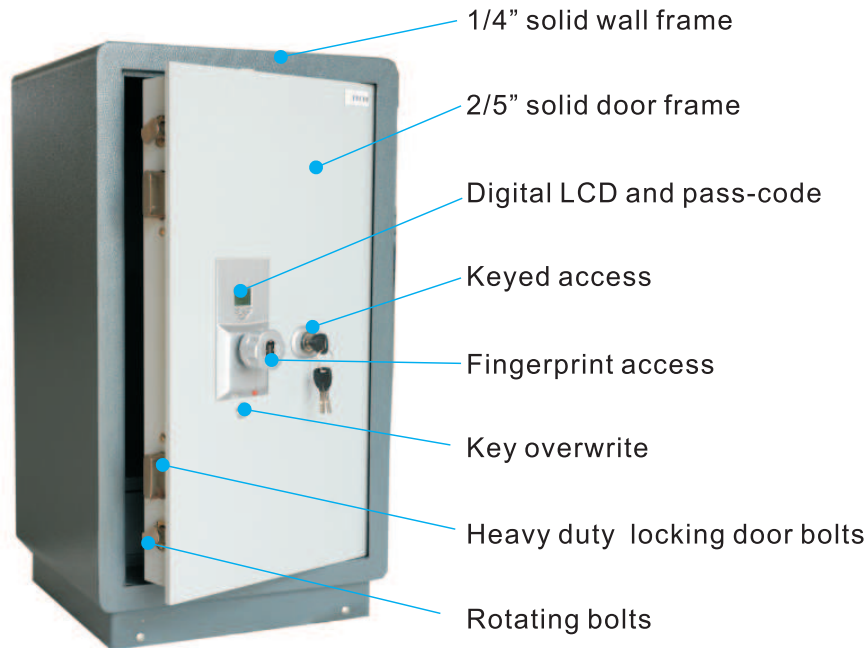
Storage Space: 1.90 cubic foot

Inside Storage Space with lockable storage compartment : 19.70"(H) x 14.90"(W) x 11"(D)

Inside Storage Space without lockable storage compartment : 14.60"(H) x 14.90"(W) x 11"(D)

Weight: 143 lbs

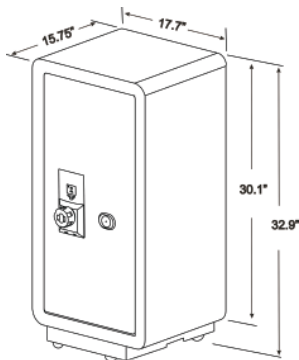
## Model: BKK-G301715 3.75 Cubic Foot Storage



### Model BKK-G301715 Overview

With a 3.75 cubic foot of storage space, this beautifully crafted large size fingerprint safe protects your important documents, cash, guns jewelry and other valuables conveniently at homes, mid to large size offices, hotels, casinos, stores and government.

The BKK Safe Series™ model BKK-G301715 unitized 1/4" steel body. Massive 3" recessed door constructed of a 2/5" solid steel plate. 6 locking door solid bolts (3-way boltwork) and concealed hinges. **Two 90 degrees rotation bar for extra security.** Each safe offers audit trail upto 1000 recorded logs and upto 100 users. Key activated and key overwrite can easily be disabled.



#### BKK-G301715

Outside Dim: 30.1"H x 17.7"W x 15.75"D

Package Dim: 32.68"H x 18.9"W x 18.11"D

Frame Thickness: 1/4"(walls) x 0.23"(back) x 0.39"(door)

Storage Space: 3.75 cubic foot

Inside Storage Space with lockable storage compartment : 28.74"(H) x 17.24"(W) x 13"(D)

Inside Storage Space without lockable storage compartment : 23.64"(H) x 17.24"(W) x 13"(D)

Weight: 214 lbs