

# Tychi Systems, Inc.

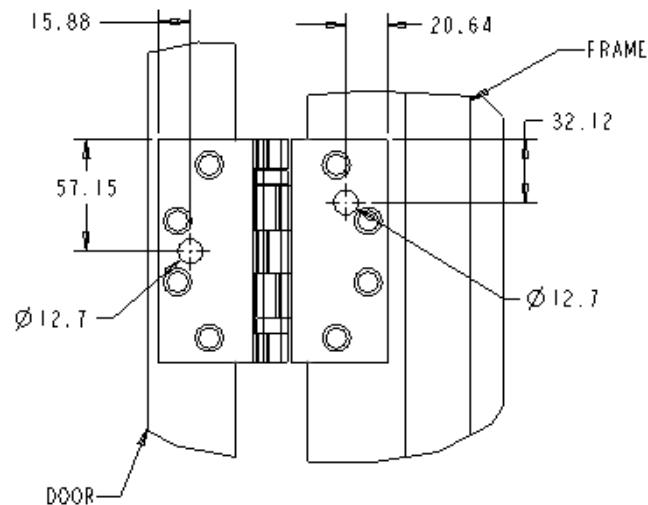
## Power Transfer Hinge Installation Instructions

### I. Power by Wiring Through the Door

As an alternative to the periodic recharging the security systems, Tychi's Electric hinges (power transfer hinges) proved a means of transferring power or signals from the door frame to electric locks, access controls or exit bars installed in the door. Hidden wires provided higher security and resistance from tampering, weather, exposed.

### II DOOR AND FRAME PREPARATION

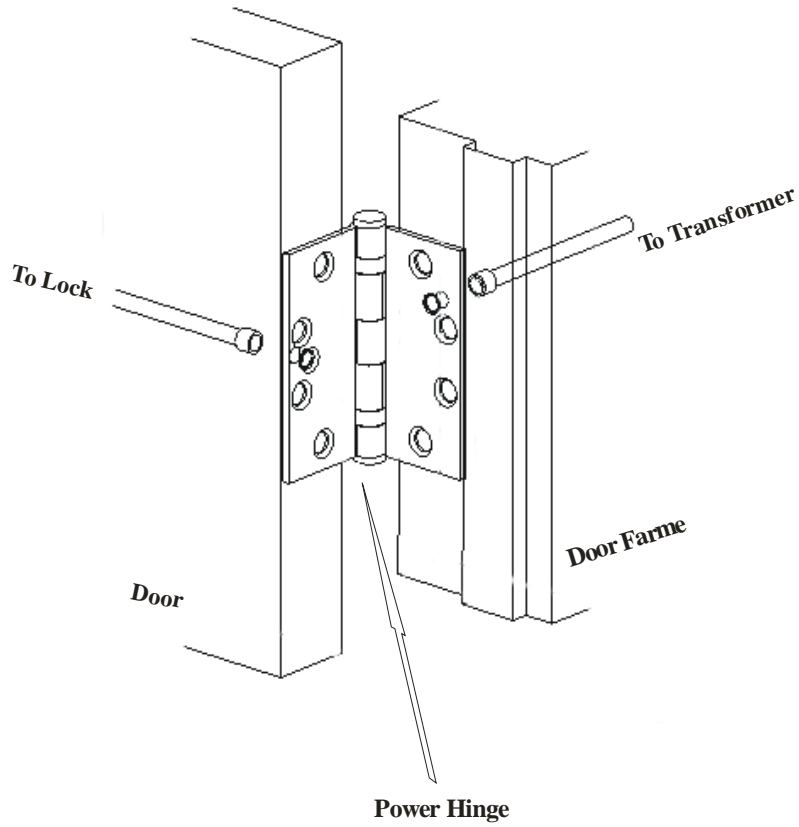
Drill 12.7MM (1/2") diameter hole into frame and door. See Figure 2.  
Deburr the hole to prevent damage to the wire.



**Figure 2**

### III. INSTALLATION

Attach connector from the hinge to the appropriate connector as shown in Figure 3.



**Figure 3**

IV Electrical Hinge Specification

